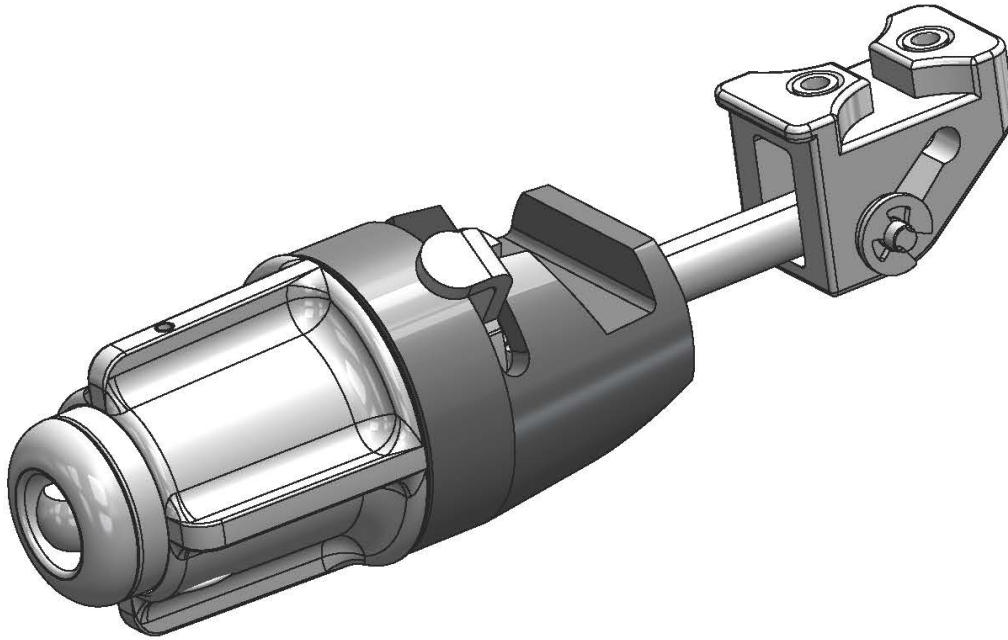


HOLD DOWN -
 INSERTION/EXTRACTOR
 04271

HEAVY DUTY



OPTIONS:

042871 A - 150 - 1 BG

BASIC PART NUMBER

OPTIONAL CHARGE:

A
B

INSERTION FORCE +/- 10 LBS:

- 050
- 075
- 110
- 150
- 200

HINGE:

- AB
- AB/Y
- AE
- AN
- BG
- CB
- W
- WA
- BC
- NJ
- L
- M
- V

SPINDLE -4 TO -10 ONLY

SPINDLE -1 TO -3 ONLY

SPINDLE LENGTH:

- 1
- 2
- 3
- 4
- 5
- 6/-8
- 7
- 9
- 10