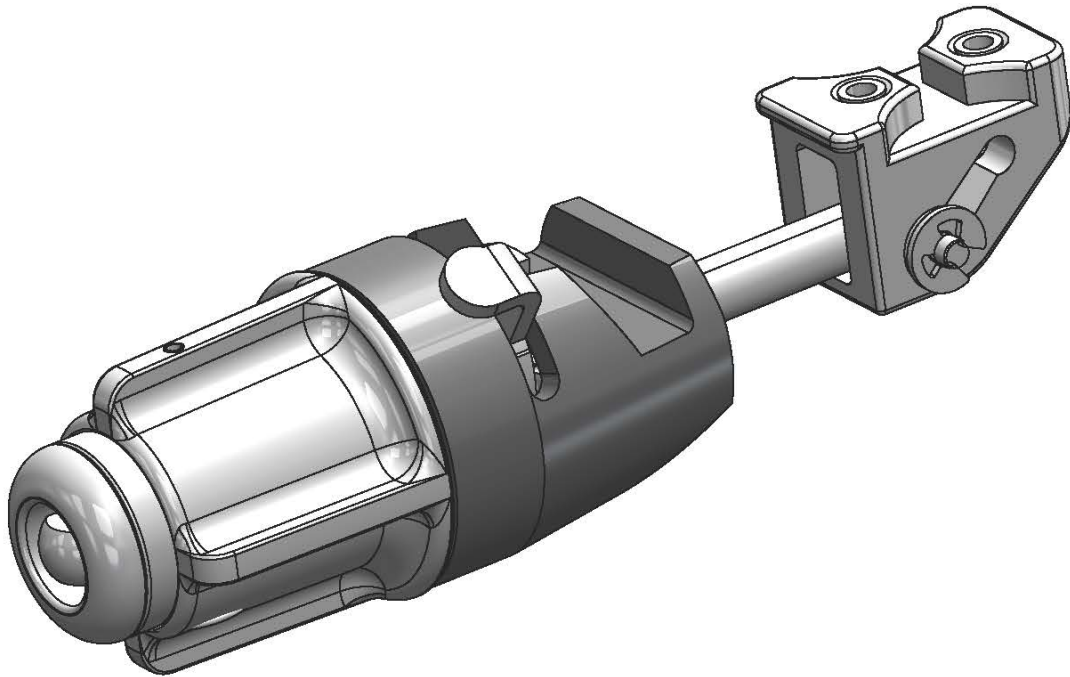


HOLD DOWN -
INSERTION/EXTRACTOR
2450

FOR LIGHT DUTY



OPTIONS:

2450 - 110 - 1 K

BASIC PART NUMBER

INSERTION FORCE +/- 10 LBS:

- 050
- 075
- 100
- 110 (* STANDARD ARINC 400/600)
- 150
- 175

COMPATIBLE MOUNTING HINGE TYPE:

- NO LETTER = NO HINGE
- K = (USED WITH WELDED DOUBLER)
- S
- T = (USED WITHOUT WELDED DOUBLER)
- Z

SPINDLE LENGTH:

- (C/L PIN BORE TO END OF SPINDLE)
- 1 (3.10" P/N 1109-4)
- 2 (3.25" P/N 1109-5)