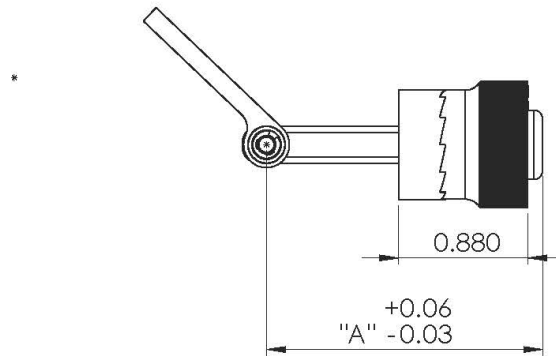


HOLD DOWN-
THUMBSCREWS
3867



PART NO.	DIM "A"	SPINDLE FEATURES	HINGE TYPE
3867	1.40	(.250-28)	1119-02 (TYPE "AZ")
3867-1	1.88	(.250-28)	1119-02 (TYPE "AZ")
3867-2	1.88	(.250-28)	1383 (TYPE "L")
3867-3	1.88	(.250-28)	4664 (TYPE "AY")
3867-4	2.75	(.250-28)	2396 (TYPE "W")
3867-5	2.75	(.250-28)	1119-02 (TYPE "AZ")
3867-6	2.75	(.250-28)	1374 (TYPE "K")
3867-7	2.16	(.250-28)	1119-02 (TYPE "AZ")
3867-8	1.88	(.250-28)	1119-02 (TYPE "AZ")
3867-9	1.88	(.250-28)	1383 (TYPE "L")
3867-10	2.16	(.250-28)	1374 (TYPE "K")
3867-11	1.88	(.250-28)	(WITHOUT HINGE)
3867-12	1.94	(.312-24)	4664 (TYPE "AY")
3867-13	2.75	(.250-28)	1383 (TYPE "L")
3867-14	1.64	(.250-28)	121366-4 (TYPE "A")