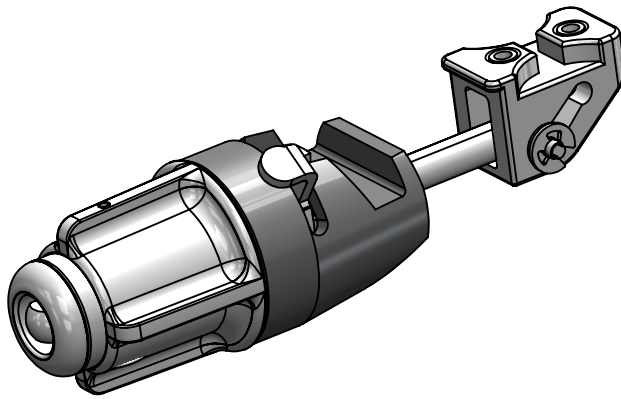


HOLD DOWN -
 INSERTION/EXTRACTOR
 022572



OPTIONS:

022572 - 110 - 1 K

BASIC PART NUMBER

INSERTION FORCE +/- 10 LBS:

- 050
- 075
- 100
- 100
- 150
- 200
- 225

COMPATIBLE MOUNTING HINGE TYPE:

NO LETTER = NO HINGE

A

AJ

H

K = (USED WITH WELDED DOUBLER)

P

S

T = (USED WITHOUT WELDED DOUBLER)

U

Z

SPINDLE LENGTH:

(C/L PIN BORE TO END OF SPINDLE)

-1 = 3.49in [88.64mm]

-2 = 3.74in [94.99mm]

-3 = 3.99in [101.34mm]

-4 = 3.49in [88.64mm]

-5 = 3.18in [80.77mm]